

EFMB1~3 series

Major Parameter

Power: AC85~265V or AC/DC24V multi power input,
AC220V/110V/AC24V/DC24V single power input.

Environment temp: -25°C~70°C.

Related humidity: ≤90%(25°C).

Environment: Without any high corrosion and explosion medium.

Working time: S1 long time standard for both On-off and modulating type.

Output signal(On-off type): Fully open & fully close passive contact(2A 250VAC).

Input/output signal(modulating type): 4~20mA(std configuration);0~10V & 2~10V is optional.

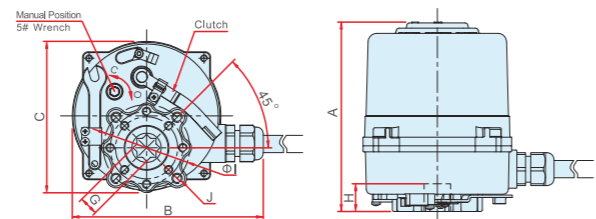
Wiring method: Lead type,standard cable length 1m,can be customized.

Housing protection class: IP67(std configuration);IP68 are optional.

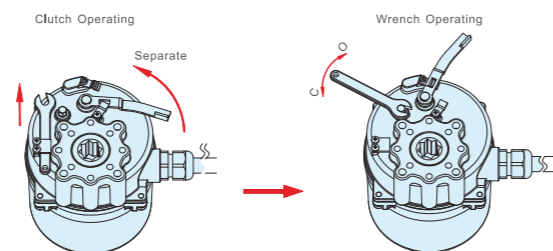
Remark: IP68 means 15m under water level and 72 hours duration time.



EFMB1~3 series



Manual operation Method



Features

Input Power

Multi power input and wide voltage range enable stronger applicability.

Indicators

Arrow indicator with LED indicate lamps.

Light weight

AL base & cover, light weight, small space, big output torque.

Waterproof

Rubber seal between cover and basement to provide good waterproof function.Can be installed outdoor or submersible occasion.

Transmission characteristics

Gear transmission, enables reliable & high efficiency transmission with low noise.

Manual operation

Clutch mechanism design with patent. Free 5# wrench to realize convenient manual operation.

Long running time

DC24V direct current motor design to ensure long running time.

Motor over-current protection

Adopting Self-locking to protect the circuit starting,motor and valve when valve jamming occurs.

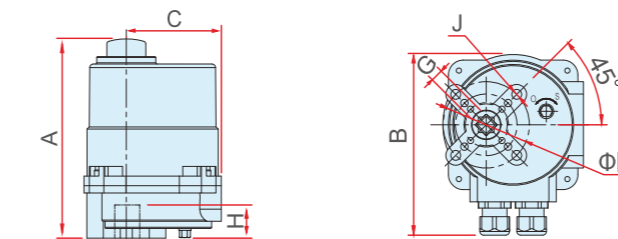
Dimension

Unit: mm

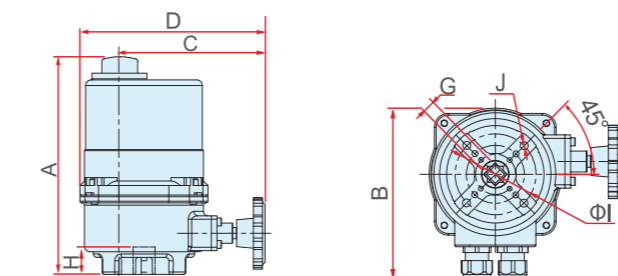
| Model | Max output torque (N·m) | | Power (W) | | Open/close time (sec) | | A | B | C | G | H | Φ | J | Remarks |
|--------|-------------------------|--------|------------|-----------|-----------------------|-------|-----|-----|------|-------|----|----|------|-----------|
| | Nm | lbf.in | AC 85~265V | AC/DC 24V | AC 85~265V | DC24V | | | | | | | | |
| EFMB-1 | On/off | 10 | 89 | 5 | 5 | 13 | 110 | 111 | 87.5 | 11x11 | 16 | 36 | 4-M5 | 5# Wrench |
| | Modulating | | | | | | | | | | | | | |
| EFMB-2 | On/off | 20 | 177 | 8 | 8 | 12 | 110 | 111 | 87.5 | 11x11 | 16 | 42 | 4-M5 | 5# Wrench |
| | Modulating | | | | | | | | | | | | | |
| EFMB-3 | On/off | 30 | 266 | 10 | 10 | 11 | 110 | 111 | 87.5 | 11x11 | 16 | 50 | 4-M6 | 5# Wrench |
| | Modulating | | | | | | | | | | | | | |

※Remarks: 1. The upper "G" is suggestive square-hole, can be decided by customer.
2. "Φ" & "J" dimension follow ISO5211 std. Only one row data can be chosen.

EFM1/EFMA series



EFM1/A/B-H series



Feature

Light weight

AL alloy base & plastic cover, light weight, small space, big output torque. AL cover is optional.

Waterproof

Rubber seal between cover and basement to ensure good waterproof function. Can be installed outdoor or in submersible occasion.

3D indicator

Special and high strength plastic material achieves longer life. 3D indicator function creates 360° visual angle.

Motor overheating protection

Inner overheat protective component can automatically shut power off to prevent motor from damage when actuator is over torque.

Carbon steel gears

Adopting carbon steel alloy resists to abrasion to ensure longer lifecycle.

Manual operation

EFM1/A needs extra 8# wrench,EFM1/A/B-H is manual handwheel operation.

Dimension

Unit: mm

| Model | A | B | C | D | G | H | Φ | J | Remarks |
|--------|------------|-----|-----|-----|-------|----|----------------|-------|---------------------|
| EFM1 | On/off | 162 | 145 | 79 | — | 20 | 36 50 70 | 11X11 | 8# Wrench |
| | Modulating | 192 | | | 11X11 | | | | |
| EFMA | On/off | 162 | 145 | 79 | — | 20 | 36 50 70 | 11X11 | 8# Wrench |
| | Modulating | 192 | | | 14X14 | | | | |
| EFM1-H | 188 | 145 | 108 | 165 | 11X11 | 20 | 36 50 70 | 11X11 | Handwheel operation |
| EFMA-H | | | | | 14X14 | | | | |
| EFMB-H | 218 | 145 | 108 | 165 | 14X14 | 20 | 36 50 70 | 11X11 | Handwheel operation |

※Remarks: 1. The upper "G" is suggestive square-hole, can be decided by customer.
2. "Φ" & "J" dimension follow ISO5211 std. Only one row data can be chosen.

EFM1/A/B-H series

Major parameter

Power: DC24V/AC24V/AC110~120V/AC220~240V,50/60Hz.

Environment temp: -25°C~70°C.

Relative humidity: ≤90% (25°C).

Environment: Without any high corrosion and explosion medium.

Working time: S2 standard, 30 min.

Please consult sales department if need 50% or 75% duty cycle.

Input/output signal (modulating): 4~20mA (std configuration);
0~10V & 2~10V are optional.

Housing protection class: IP67 (std configuration); IP68 is optional.

Remark: IP68 means 15m under water level and 72 hours duration time.



EOM / EFMQ quick open Series

Major parameter

Power: DC24V/AC24V/AC110~120V/AC220~240V/AC380~440V; 50/60Hz.

Environment temp: -25 C~70 C

Relative humidity: ≤90% (25 C)

Environment: Without any high corrosion and explosion medium.

Working time: S2 standard, 30 min.

Please consult sales department if need 50% or 75% duty cycle.

Input/output signal (modulation): 4~20mA (std configuration); 0~10V & 2~10V are optional.

Housing protection class: IP67 (std configuration); IP68 is optional.

Remark: IP68 means 15m under water level and 72 hours duration time.

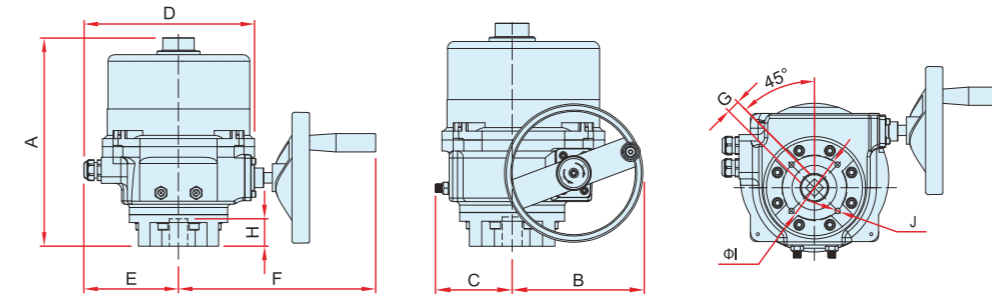


EOM 2~8 series

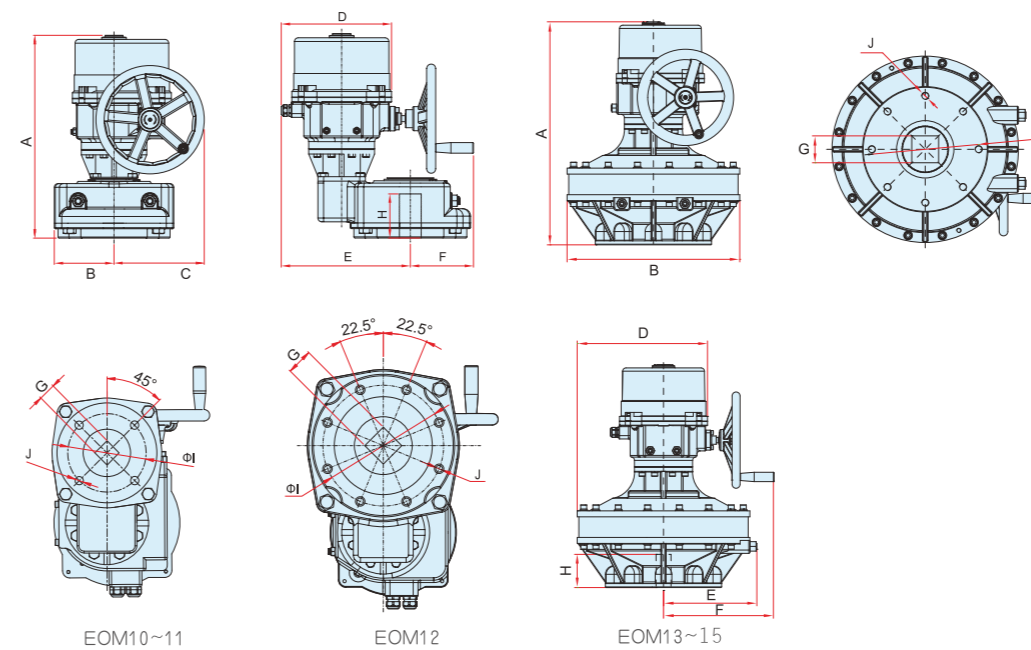


EOM 10~12 series

EOM2~9/EFMQ2~8 series



EOM10~15 series



EOM10~11

EOM12

EOM13~15

Feature

Light weight

Al alloy housing and compact design. Ductile iron gear box creates high strength fun. for EOM10~12 models.

Waterproof

Rubber seal between cover and basement to ensure good waterproof function. Can be installed in outdoor or in submersible occasion.

Planetary gear

Inner gear and planetary gear combination and manual transmission by worm gear and worm to realize self-lock function.

Motor overheating protection

Inner overheat protective component can automatically shut power off to prevent motor from damage when actuator over torque.

3D indicator

Special and high strength plastic material achieves longer life. 3D indicator function creates 360° visual angle.

Operation convenience

Direct manual operation without clutch to prevent user from injury.

Dimension

Unit: mm

| Model | A | B | C | D | E | F | G | H | ΦI | J | Remarks | |
|-------|-------|-------|-----|-----|-----|-----|-----|----------------|-------|-------|---------|------------------|
| EFMQ2 | EOM2 | 265 | 123 | 79 | 216 | 120 | 240 | 14x14 | 35 | 70 | 4-M8 | manual handwheel |
| | EOM3 | 265 | 123 | 79 | 216 | 120 | 240 | 17x17 | 35 | 70 | 4-M8 | |
| | | | | | | | | | | 102 | 4-M10 | |
| EFMQ4 | EOM4 | 321 | 187 | 103 | 262 | 150 | 297 | 22x22 | 55 | 102 | 4-M10 | |
| | EOM5 | 321 | 187 | 103 | 262 | 150 | 297 | 22x22 27x27 | 55 | 102 | 4-M10 | |
| | | | | | | | | | | 125 | 4-M12 | |
| | EOM6 | 321 | 187 | 103 | 262 | 150 | 297 | 27x27 | 55 | 125 | 4-M12 | |
| | EOM7 | 321 | 187 | 103 | 262 | 150 | 297 | 27x27 | 55 | 125 | 4-M12 | |
| 140 | | | | | | | | | | 4-M16 | | |
| EFMQ8 | EOM8 | 378 | 241 | 119 | 293 | 161 | 346 | 27x27 | 65 | 125 | 4-M12 | |
| | EOM9 | 378 | 241 | 119 | 293 | 161 | 346 | 36x36 | 65 | 140 | 4-M16 | |
| | | | | | | | | | | 165 | 4-M20 | |
| | - | EOM10 | 532 | 116 | 215 | 293 | 302 | 182 | 46x46 | 85 | 140 | 4-M16 |
| | | | | | | | | | | | 165 | 4-M20 |
| - | EOM11 | 532 | 116 | 215 | 293 | 302 | 182 | 46x46 | 85 | 165 | 4-M20 | |
| | | | | | | | | | | 254 | 8-M16 | |
| - | EOM12 | 543 | 160 | 215 | 293 | 343 | 168 | 55x55 | 130 | 254 | 8-M16 | |
| | | | | | | | | | | 298 | 8-M20 | |
| - | EOM13 | 672 | 520 | - | 392 | 281 | 331 | 55x55 75x75 | 120 | 254 | 8-M16 | |
| | | | | | | | | | | 298 | 8-M20 | |
| - | EOM14 | 672 | 520 | - | 392 | 281 | 331 | 55x55 75x75 | 120 | 254 | 8-M16 | |
| | | | | | | | | | | 298 | 8-M20 | |
| - | EOM15 | 672 | 520 | - | 392 | 281 | 331 | 55x55 75x75 | 120 | 254 | 8-M16 | |
| | | | | | | | | | | 298 | 8-M20 | |

※Remarks: 1. The upper "G" is suggestive square-hole, can be decided by customer.
2. "ΦI" & "J" dimension follow ISO5211 std. Only one row data can be chosen.
3. The dimension of EFMQ1 is the same as EFM1/A modulating type.